

Axle Flange Diagrams

Use these diagrams to make sure you have the correct axle for a particular kit.

1

King Pin Size: 0.813"
King Pin Length: 5.5"
Axle Boss Length: 2.375"

1937-41 Ford Straight Axle Car or Truck
Kits: A148-6F, A148-6G, A148-7F, A148-7G, A148-11, A148-12, A148-16, A148-16A, A148-17, A148-17A, A24351N, A24351T

2

King Pin Size: 0.813"
King Pin Length: 6"
Axle Boss Length: 2.375"

1942-48 Ford Straight Axle Car and 1942-56 Ford Straight Axle Truck
Kits: A148-6F, A148-6G, A148-7F, A148-7G, A148-11, A148-12, A148-13, A148-16, A148-16A, A148-17, A148-17A, A148-18, A148-18A

3

King Pin Size: 0.867"
King Pin Length: 5.3"
Axle Boss Length: 2.125"

1949-54 Chevy Straight Axle Car
Kits: A48-8, A148-14, A148-14A

4

King Pin Size: 0.867"
King Pin Length: 5.7"
Axle Boss Length: 2.125"

1941-54 GM Straight Axle Truck
Kits: A48-9, A148-15, A148-15A

5

King Pin Size: 0.867"
King Pin Length: 5.7"
Axle Boss Length: 2.125"

GM S-Series Truck
Kits: A117 (for A117-1 see axle flange 6)

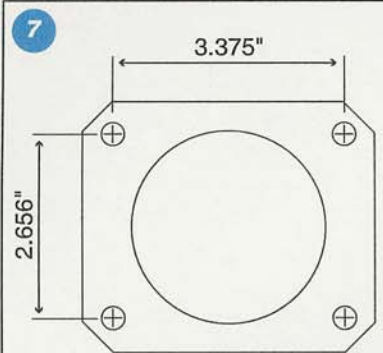
6

King Pin Size: 0.867"
King Pin Length: 5.7"
Axle Boss Length: 2.125"

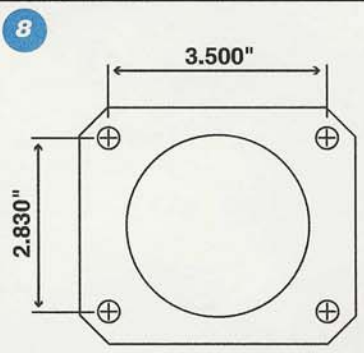
GM Car 10 & 12 Bolt and GM S-Series Truck
Kits: A117-1, A125, A125F, A125-1, A125-1F, A125-3, A125-5, A125-6, A125-8, A125-9, A125-12, A125-13, A125-14, A125-15, A125-18, A125-19

Axle Flange Diagrams

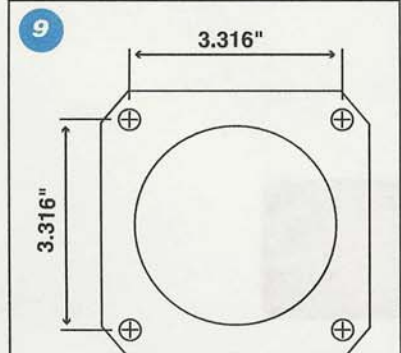
Use these diagrams to make sure you have the correct axle for a particular kit.



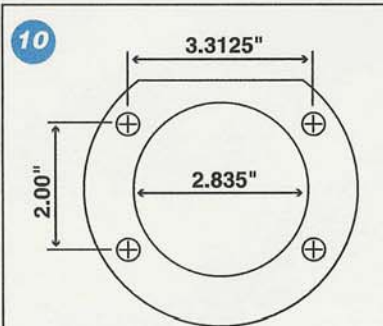
Pre 1987 GM Truck
Kits: A126, A126-1



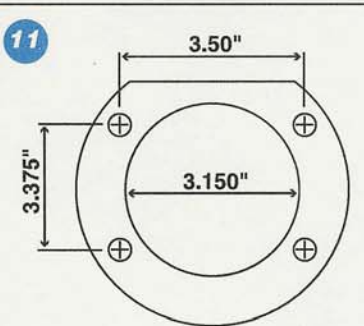
1988-98 GM Truck with 10" Drums
Kits: A126-2, A126-3



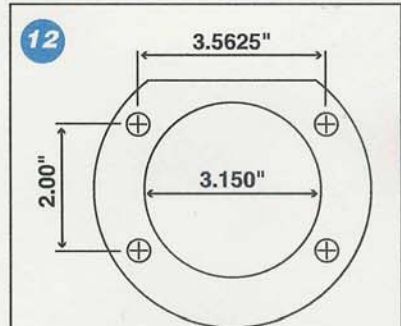
1988-98 GM Truck with 11" Drums
Kits: A126-4, A126-5



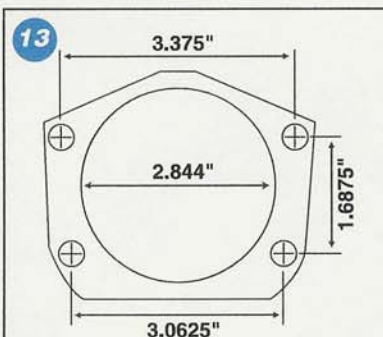
Ford 8" & 9" Small Bearing
Kits: A111, A111-2, A111-4, A111-5, A111-8, A111-9, A111-12, A111-13



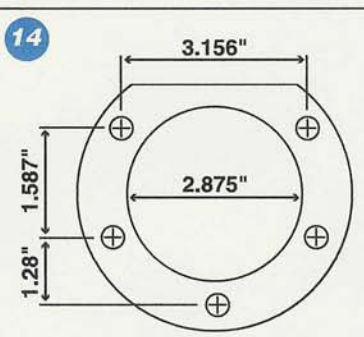
Ford 9" Large Bearing
Kits: A110, A110-1, A110-2, A110-3, A110-4, A110-5, A110-6, A110-7, A110-8



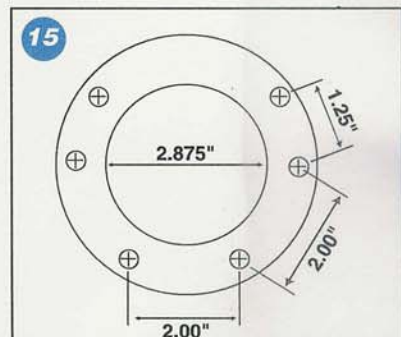
Ford 9" Torino
Kits: A111-3, A111-6, A111-7, A111-10, A111-11, A111-14, A111-15



1979-Up Ford Mustang
Kits: A112, A112-1, A112-2, A112-4, A112-93



Mopar Rear End
Kits: A155



Jeep CJ-5 Rear End
Kits: A136